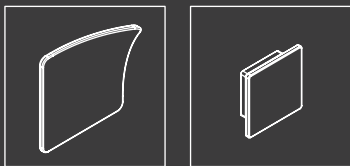


Installation guide
SE handles
Planum/Venix



SE[®]
Smart Entrance

BY POLLMEIER

INSTALLATION GUIDE

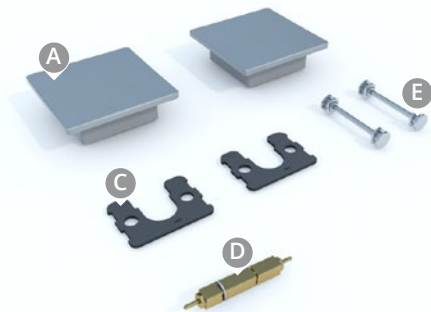
Planum/Venix SE handles

Components

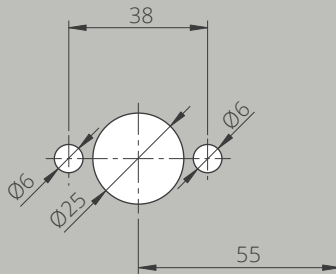
Planum handle set



Venix handle set



Installation step 1



NOTE: insert the lock prior to using a drilling template!

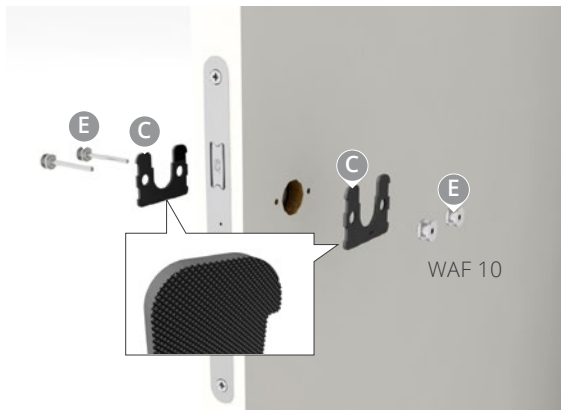
INSTALLATION GUIDE

Planum/Venix SE handles

Installation step 2



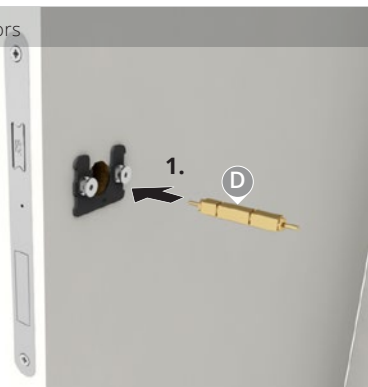
Installation step 3



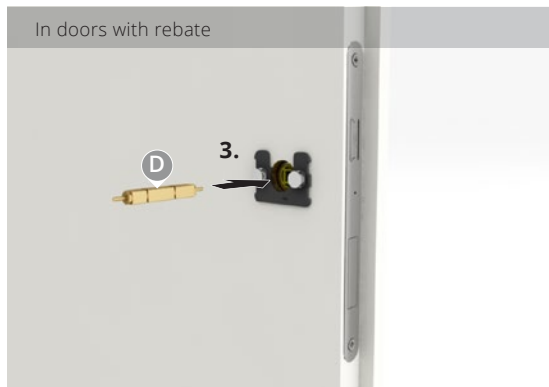
NOTE: the rough side of component "C" must be pointing towards the door leaf

Installation step 4

In flush doors



In doors with rebate

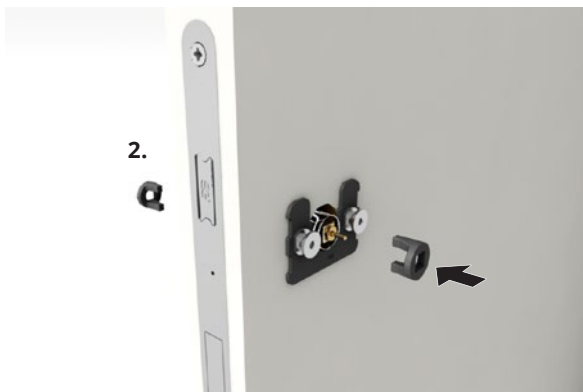
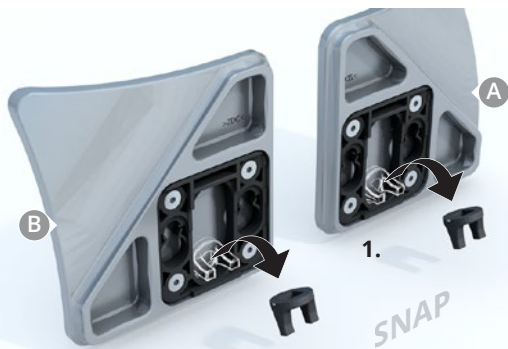


NOTE: always insert component "E" from the inside of the hinge in doors with rebate!

INSTALLATION GUIDE

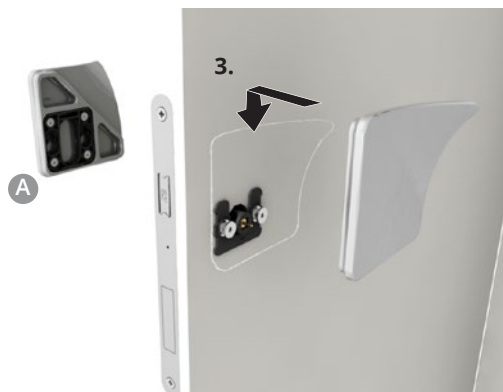
Planum/Venix SE handles

Installation step 5



NOTE: break out the emergency release and push it onto the square socket from both sides!

Installation step 6



NOTE: SE handle engages noticeably!

INSTALLATION GUIDE

Planum/Venix SE handles

Emergency release

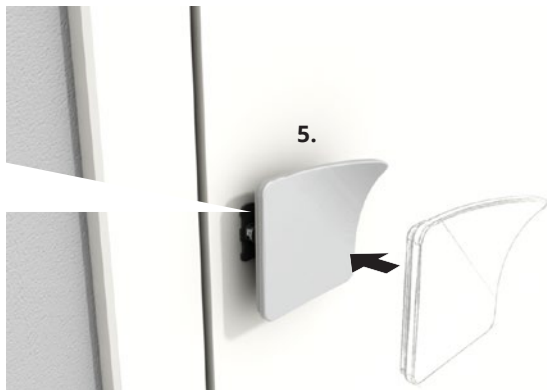
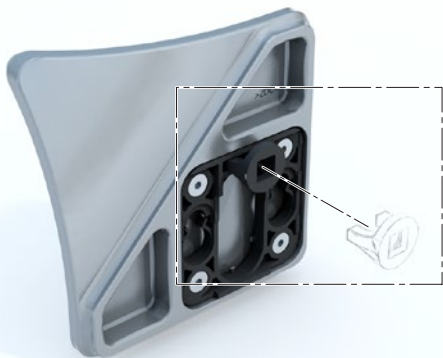


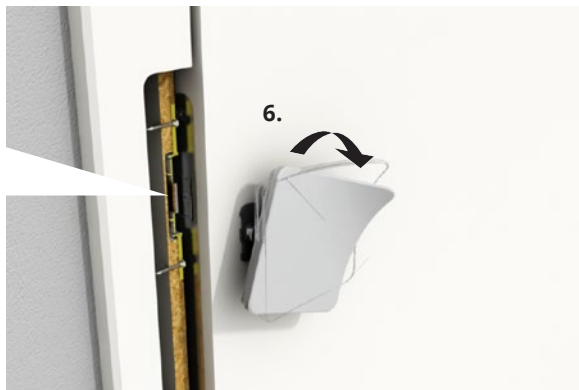


INSTALLATION GUIDE

Planum/Venix SE handles

Emergency release





After having opened the unit, turn the square socket back to its original position, install the handle and restart the lock!



Smart Entrance

BY POLLMEIER