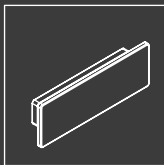
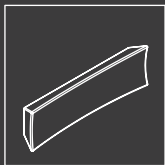


Installation guide  
SE handles  
Pallene/Vigo



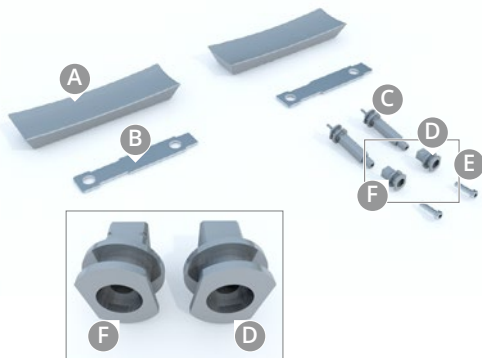
Smart Entrance

BY POLLMEIER

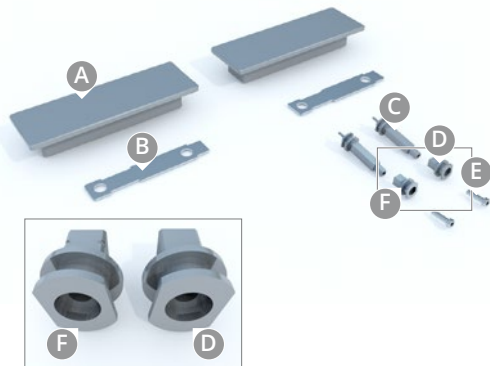


## Components

Pallene handle set



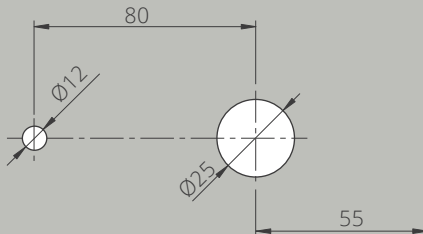
Vigo handle set



# INSTALLATION GUIDE

Pallene/Vigo SE handles

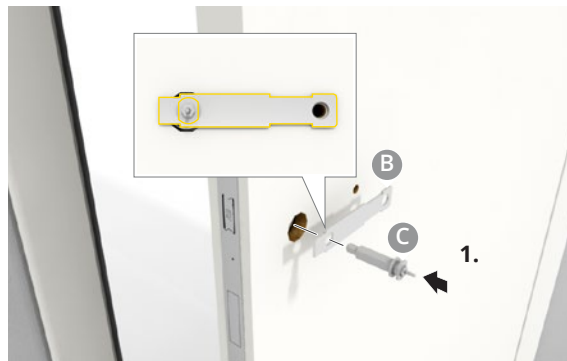
## Installation step 1



## Installation step 2



## Installation step 3

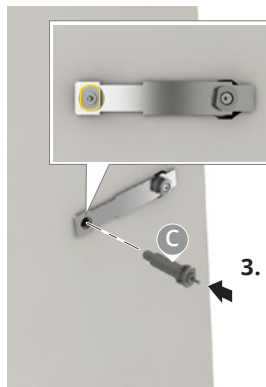
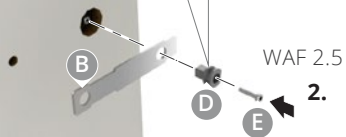
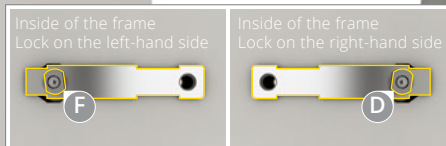


Insert component "C" from the outside of the frame (as shown here) to also enable an emergency release from the inside of the frame.

# INSTALLATION GUIDE

Pallene/Vigo SE handles

## Installation step 3



Use component "F" instead of "D" if doors feature the lock on the left-hand side of the inside of the frame! In any other case, emergency release is not possible.

Alternatively install the spring-loaded square socket "C" from each side to make sure both SE handles are in contact with the SE lock.

## Installation step 4

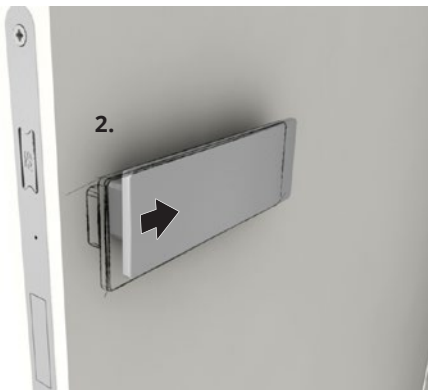


Use component "D" instead of "F" if the doors feature the lock on the right-hand side of the outside of the frame!

# INSTALLATION GUIDE

Pallene/Vigo SE handles

## Installation step 4



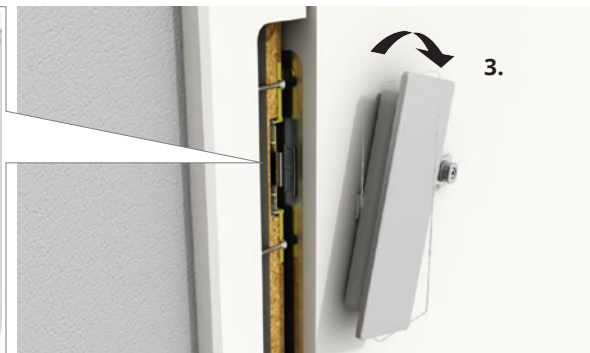
NOTE: SE handle noticeably engages!



## Emergency release



## Emergency release



The door has now been unlocked and can be opened. Turn back the square socket to its original position after having opened the unit!





Smart Entrance

BY POLLMEIER